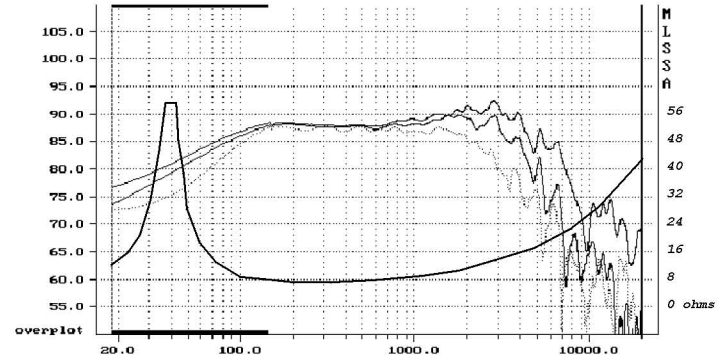
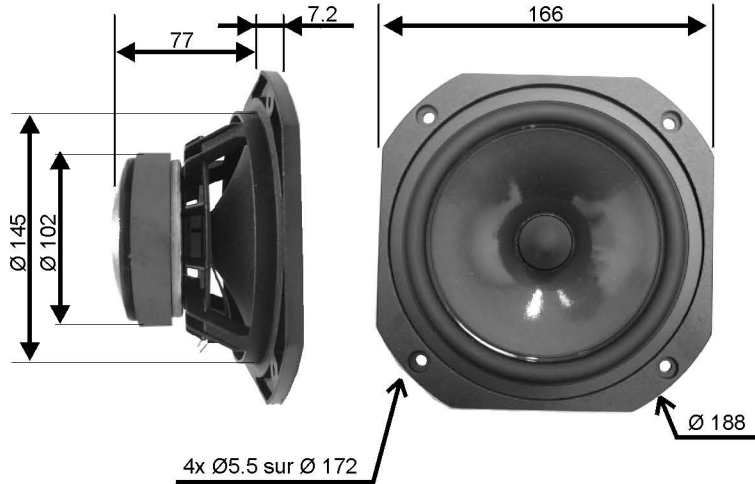


6" Bass HDA cone 8 ohms

HM170Z18

Non resonant die cast chassis
High loss rubber surround
High temperature voice coil



Nominal impedance... 8 ohms
Resonance... 38.90 Hz
Power handling (IEC)... 60 W
Sensitivity (2.83V/1m)... 89.3 dB
Resistance (DC)... 5.70 ohms
Inductance... 0.72 mH
Xmax... ± 3.25 mm
Qms... 4.07
Qes... 0.38
Qts... 0.34
Vas... 35.39 l

Voice coil diam... 30 mm
Voice coil length... 12.5 mm
Former... kapton
Layer(s)... 1
Wire type... flat
Force factor... 6.58 NA
Moving mass... 11.71 gr
Cone material... HDA
Suspension... rubber
Chassis... die cast
Total mass... 1.3 kg

